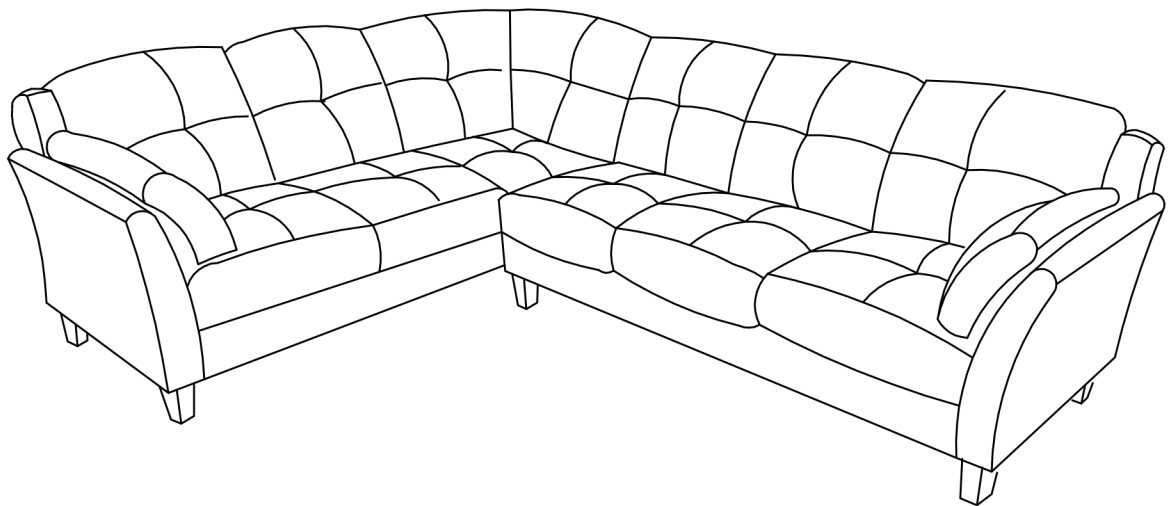


# Assembly Instructions



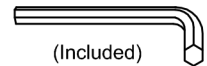
## ASSEMBLY RATING

The Assembly Rating is a 5-point system that shows the degree of effort needed in assembling a specific product (with 1 being easy and 5 being difficult). For some products, two persons are recommended.

EASY  DIFFICULT

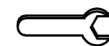
## Tools Required For Assembly:

Allen Wrench



(Included)

Wrench



(Included)

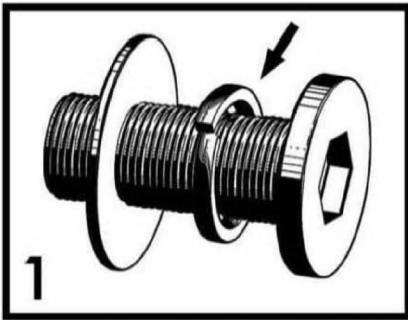


2 PERSONS RECOMMENDED

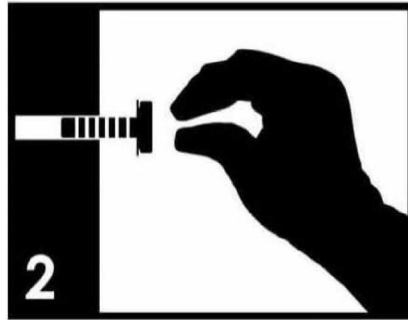
# ASSEMBLY & CARE ADVICE

FOR YOUR FURNITURE TO LAST, CORRECT ASSEMBLY AND PROPER MAINTENANCE ARE NECESSARY. PLEASE FOLLOW THE INFORMATION PROVIDED BELOW TO FULLY ENJOY YOUR FURNITURE.

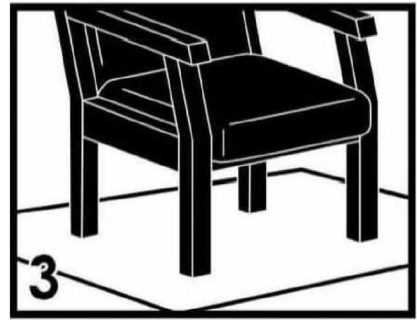
## BASIC ASSEMBLY TECHNIQUES



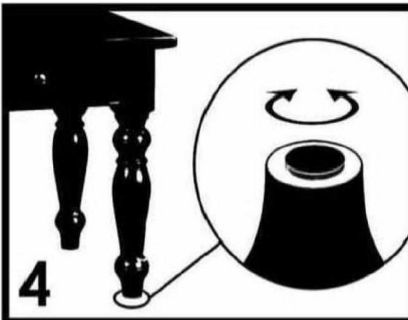
When lock or spring washer is used in an assembly, please make sure the lock or spring washer is placed between the larger flat washer and the head of the screw or bolt.



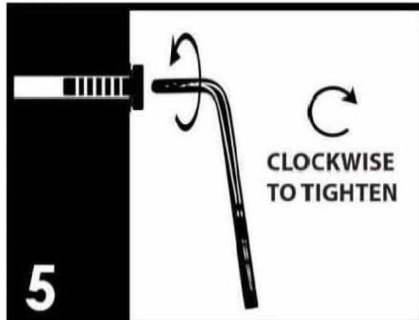
Position each part correctly and insert screws or bolts into their respective holes by hand tighten or using the proper hand tool. Only tighten when step is completed or when instructed to do so.



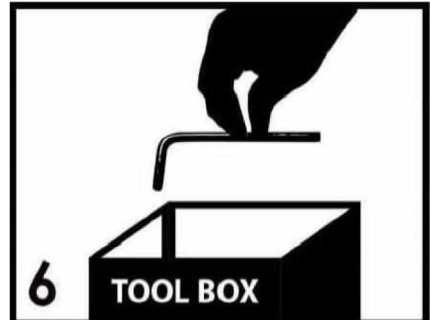
Use cardboard or carpet area when assembling furniture to prevent scratches. Make sure the furniture rests on a flat and level surface with each leg evenly touching the floor. No dragging of products/parts.



Some furniture comes with height adjustment knobs underneath each leg. To lower or to raise each leg, you need to turn clockwise or counterclockwise, respectively.



Make sure all parts are properly aligned, then use the appropriate hand tool to completely tighten the bolts or screws. Do not use power tools and do not overtighten.

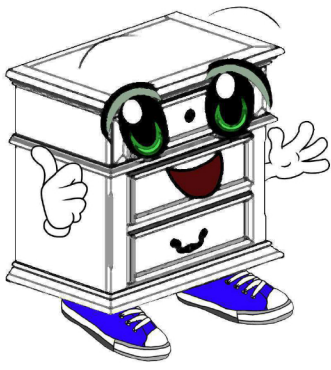


Save the instructions and store the Allen wrench or any supplied tool for later maintenance. After two weeks, check and tighten any loose hardware and repeat again every six months thereafter.

IT IS THE USER'S RESPONSIBILITY TO MAINTAIN THE FURNITURE. THE HARDWARE MAY LOOSEN OVER TIME AND MAY CAUSE THE FURNITURE TO BE WOBBLY AND UNABLE TO SUPPORT ITS INTENDED WEIGHT CAPACITY. THIS MAY LEAD TO COLLAPSE AND MAY CAUSE SERIOUS INJURY.



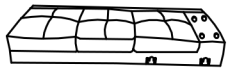
**FAILURE TO FOLLOW THE GUIDELINES ABOVE MAY RESULT IN INJURY AND/OR PROPERTY DAMAGE.**



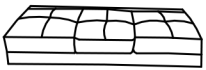
Before you begin, please read Page 2 of "Assembly and Care Advice".

And remember, do not tighten until each step is completed or instructed.

### Parts List



#1 x 1pc  
Right Sofa Seat



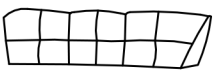
#2 x 1pc  
Left Sofa Seat



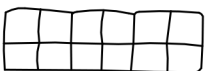
#3 x 2pcs  
Armrest (L & R)



#4 x 2pcs  
Armrest Support (L & R)



#5 x 1pc  
Right Backrest



#6 x 1pc  
Left Backrest

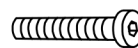


#7 x 2pcs  
Armrest Cushion (L & R)



#8 x 1pc  
Corner Backrest

### Hardware List



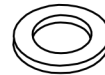
#A x 2pcs  
Bolt 5/16" x 4"



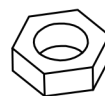
#B x 2pcs  
Bolt 5/16" x 2-1/2"



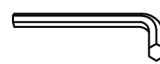
#C x 23pcs  
Threaded Stud 5/16" x 3-3/4"



#D x 27pcs  
Flat Washer



#E x 23pcs  
Nut



#F x 1pc  
Allen Wrench



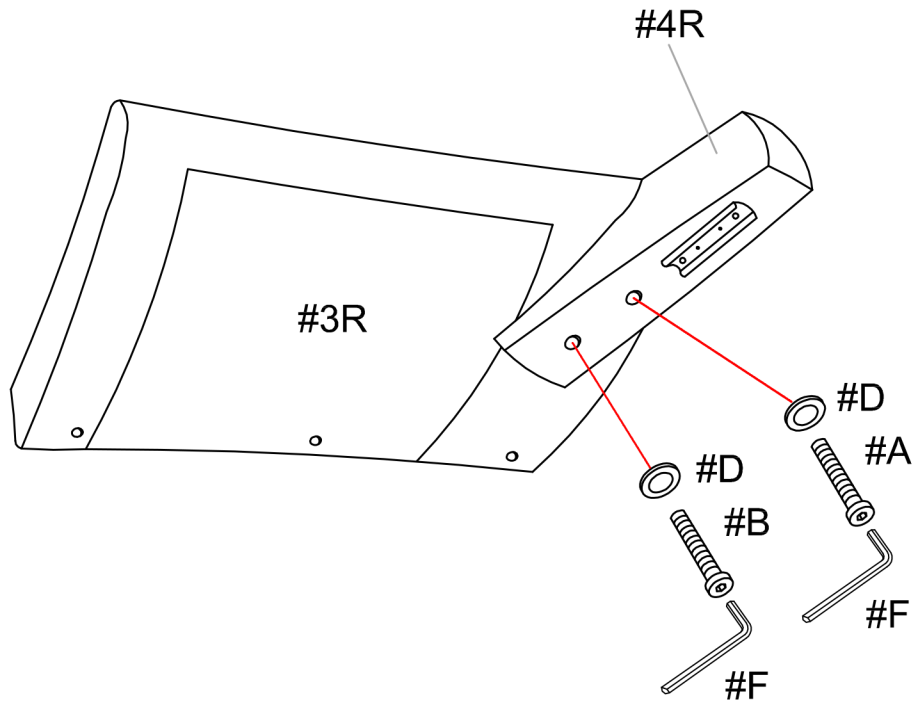
#G x 1pc  
Wrench



#9 x 8pcs  
Leg



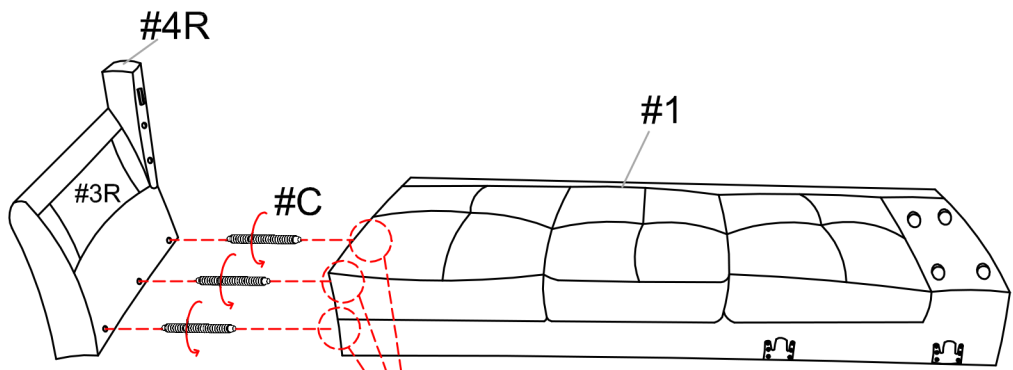
- #Ax 1pc
- #Bx 1pc
- #Dx 2pcs



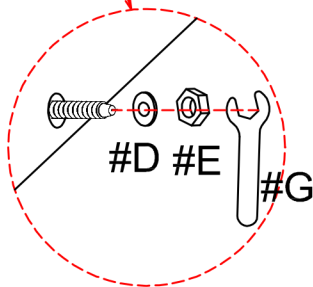
Align right armrest support (#4R) to the holes of the right armrest (#3R), then secure by using bolts (#A,B) with washers (#D).



- #C x 3pcs
- #D x 3pcs
- #E x 3pcs



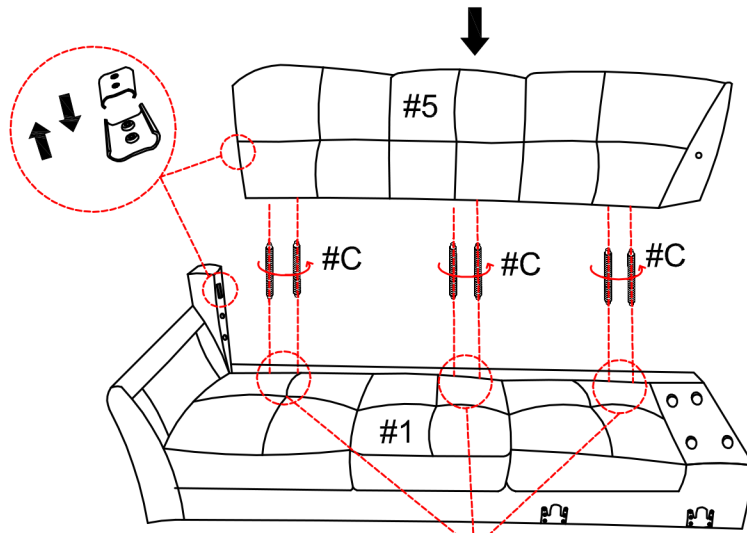
Insert 20% of the threaded studs (#C) into the holes of the right armrest (#3R). Align the armrest (#3R) to the right sofa seat (#1), then secure by using hexnut (#E) with washers (#D) to the threaded studs (#C).



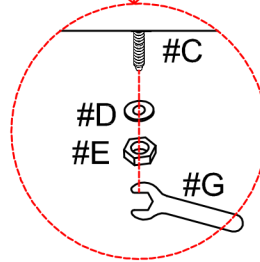


#3

#C x 6pcs  
#D x 6pcs  
#E x 6pcs

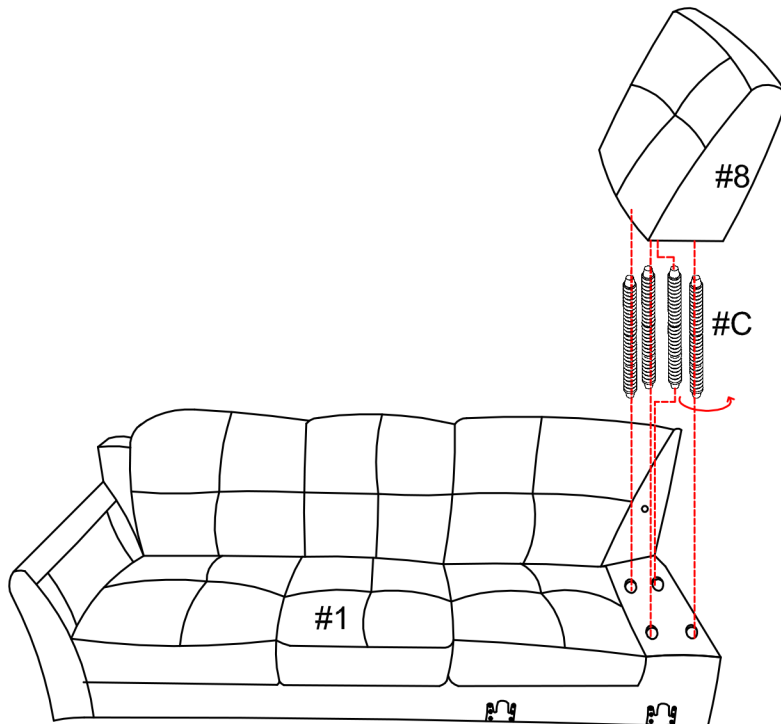


Insert 20% of the threaded studs (#C) into the holes of the backrest (#5). Align the backrest (#5) to the right sofa seat (#1) and the metal brackets of the armrest support, then secure by using hexnut (#E) with washers (#D) to the threaded studs (#C).

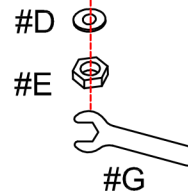


#4

#C x 4pcs  
#D x 4pcs  
#E x 4pcs



Insert 20% of the threaded studs (#C) into the holes of the corner backrest (#8). Align the corner backrest (#8) to the right sofa seat (#1), then secure by using hexnut (#E) with washers (#D) to the threaded studs (#C).

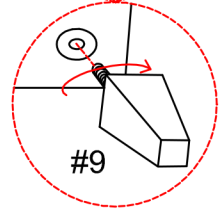
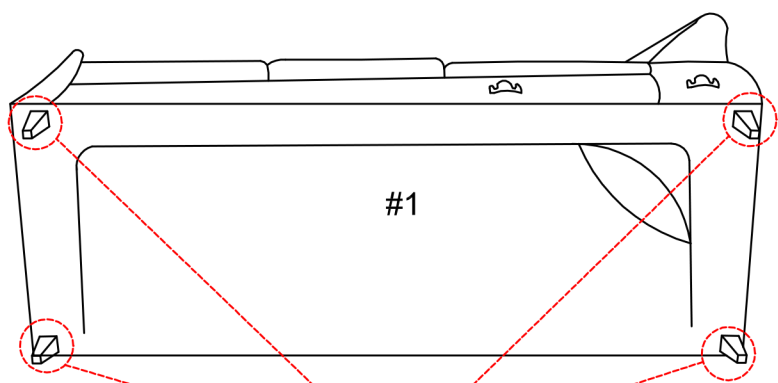
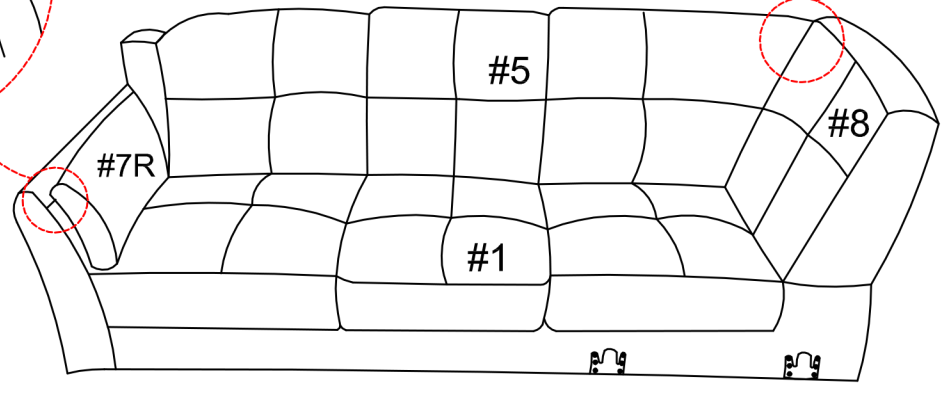
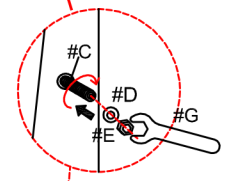
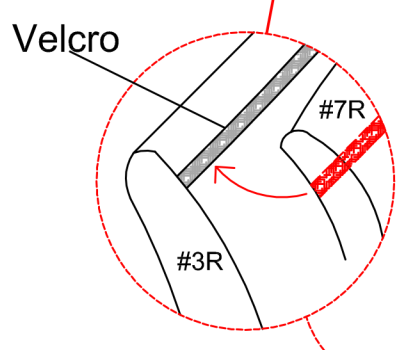




#C x 1pc  
#D x 1pc  
#E x 1pc

Secure corner backrest (#8) to backrest (#5) by using bolts (#C) with washers (#D) and hex nut (#E).

Attach pillow (#7R) to the velcro of the armrest (#3R).



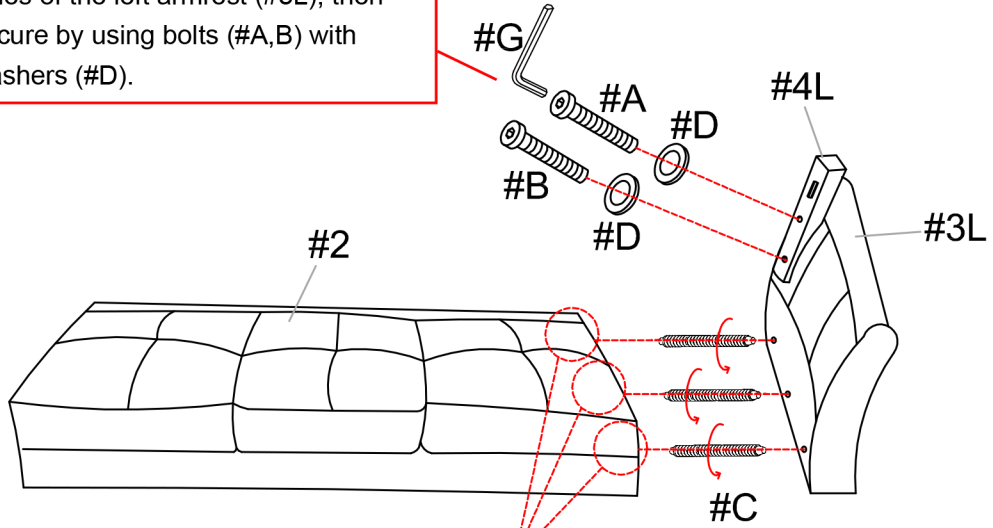
Attach legs (#9) to the bottom holes of the right sofa seat (#1).



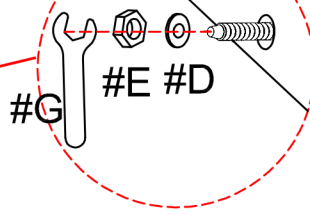
#7

Align left armrest support (#4L) to the holes of the left armrest (#3L), then secure by using bolts (#A,B) with washers (#D).

- #Ax 1pc
- #Bx 1pc
- #Cx 3pcs
- #Dx 5pcs
- #Ex 3pcs

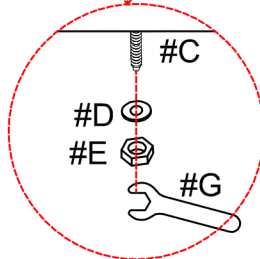
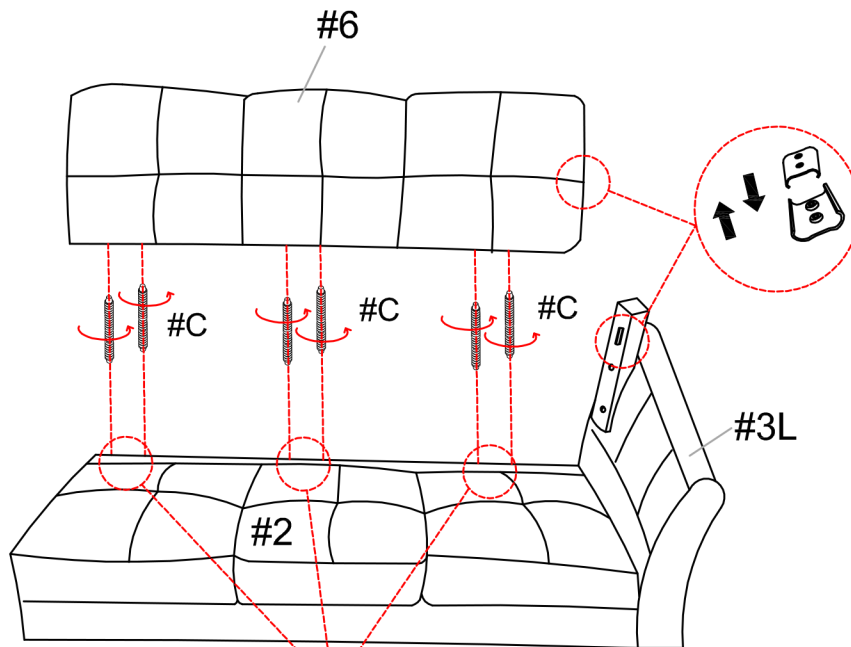


Insert 20% of the threaded studs (#C) into the holes of the left armrest (#3L). Align the armrest (#3L) to the left sofa seat (#2), then secure by using hexnut (#E) with washers (#D) to the threaded studs (#C).



#8

- #Cx 6pcs
- #Dx 6pcs
- #Ex 6pcs

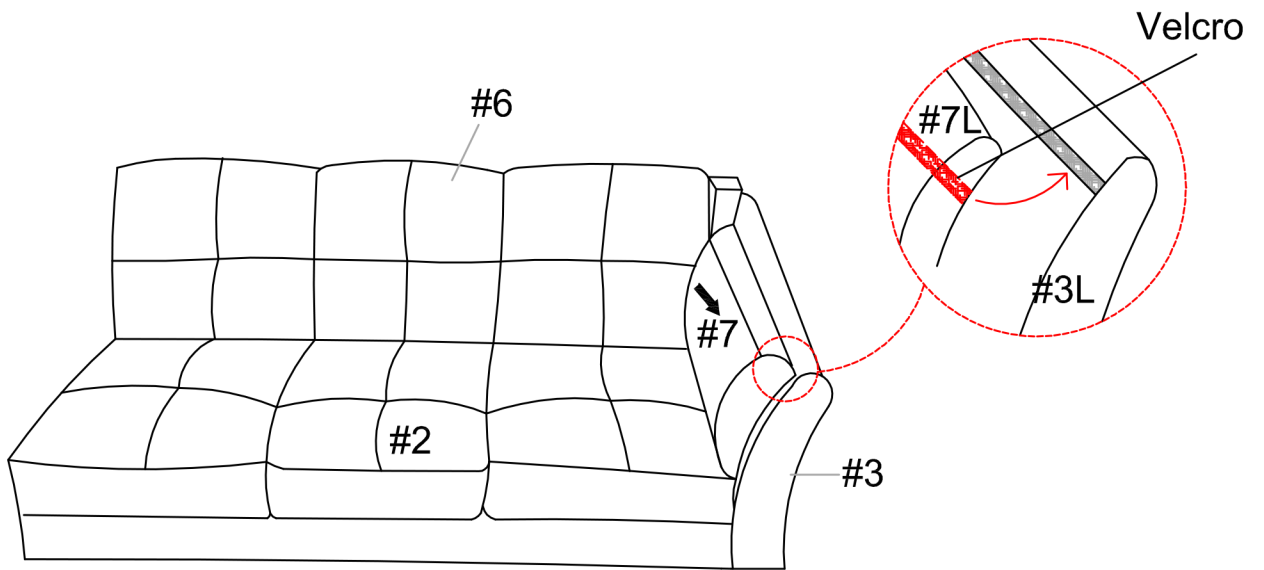


Insert 20% of the threaded studs (#C) into the holes of the backrest (#6). Align the backrest (#6) to the sofa seat (#2) and the metal brackets of the armrest support, then secure by using hexnut (#E) with washers (#D) to the threaded studs (#C).



#9

Attach pillow (#7L) to the velcro of the armrest (#3L).



#10

Attach legs (#9) to the bottom holes of the left sofa seat (#2).

